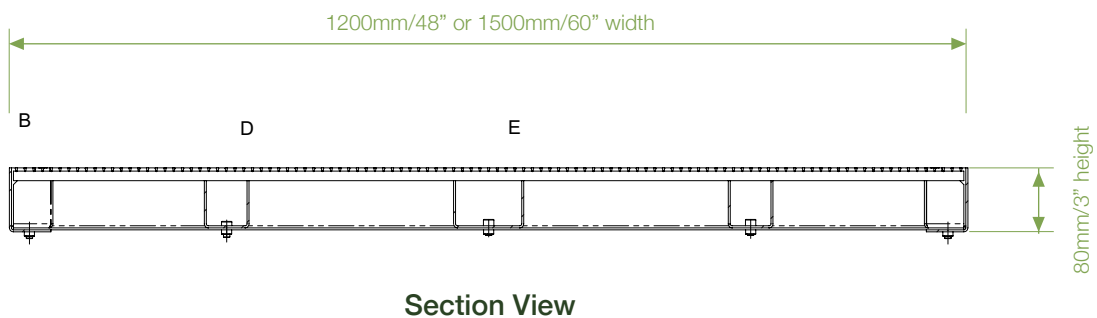
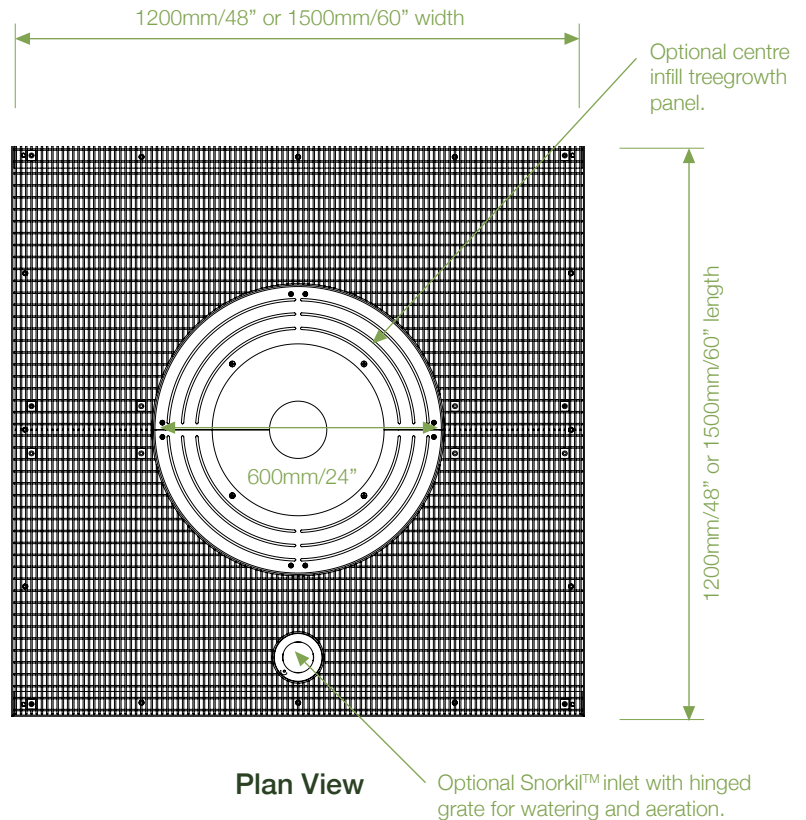


# Bradford™ Heelsafe Treegrate



The fine quality Bradford treegrate features precisely spaced solid bars of stainless steel, with heel-safe apertures that are perfect for those busy urban streets - allowing pedestrians to safely walk across the entire frame. The optional Non-Slip texture is another essential feature keeping the surface safe in all weather conditions. Designed with optional integrated Snorkil™ inlet set flush into the surface of the grill and in the same material it is almost invisible to the passer-by. You can also choose for the option of uplighters in case your particular streetscape has night traffic. Using an extremely robust support frame, and tamper-resistant fasteners, this is the ideal compliment to any upper-class streetscape or mall.



Material Specifications		Dimensions		Capacity/Rating		Other	
Grade 304 Stainless Steel	Support frame and top grate	1200 Square Model	Length	1200mm/48"	Class A	(AS 3996-2006)	The centre infill panel is an optional extra, including removable growth rings and a flexible cushion to prevent bark damage.  Other load ratings, and custom sizes are available to order.
			Width	1200mm/48"			
		1500 Square Model	Length	1500mm/60"			
			Width	1500mm/60"			
		Height	80mm/3"				